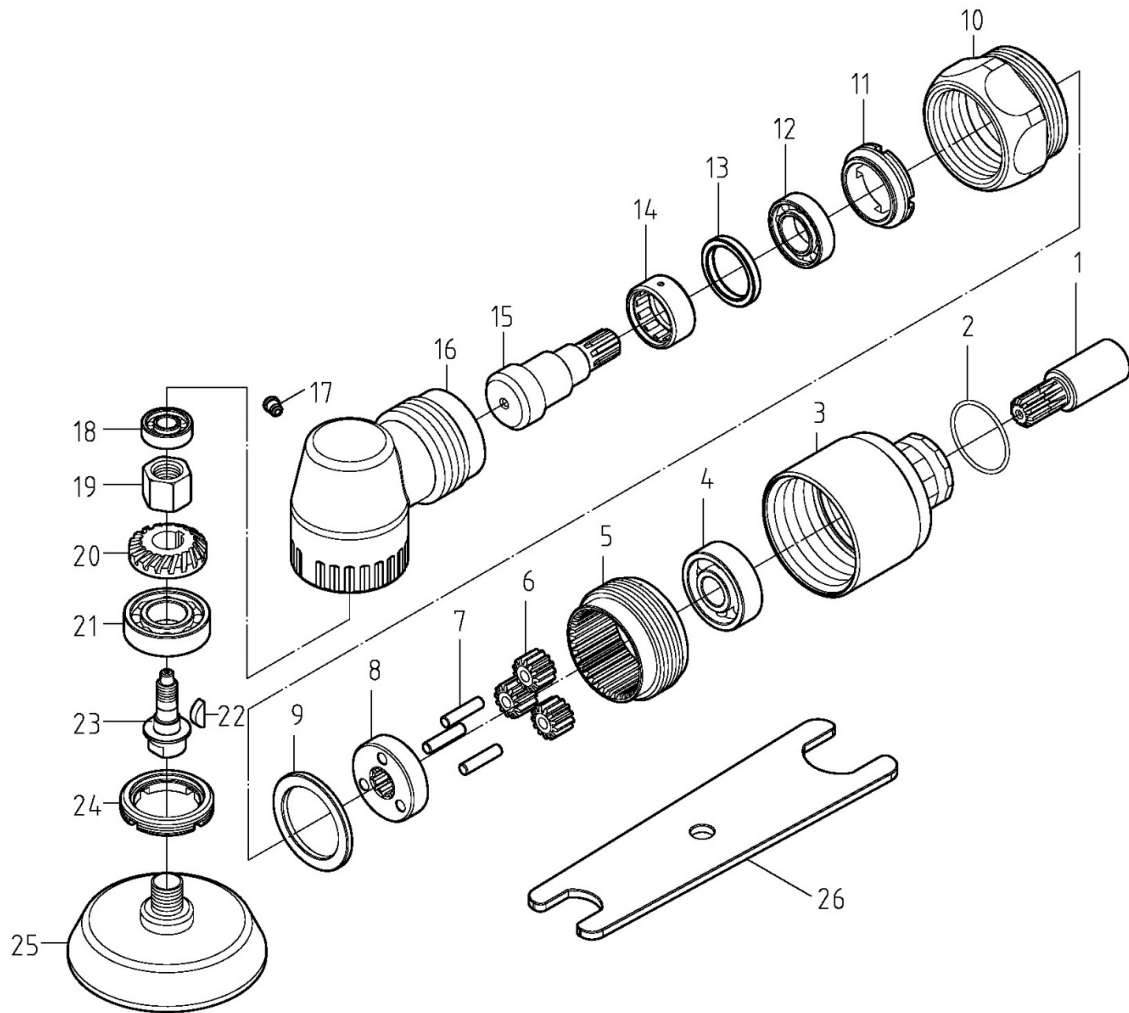


AP-1283 0.3 HP Minimal Angle Polisher



PART LIST

NO.	CODE NO.	PARTS NAME (ENG)	Q'TY	NO.	CODE NO.	PARTS NAME	Q'TY
1	2-025128302	Anvil	1	21	2-9026900-04	Ball Bearing	1
2	2-916015010	O-Ring	1	22	2-9130208	Key	1
3	2-035128304	Lock Nut	1	23	2-025126201	Anvil	1
4	2-902608-06	Ball Bearing	1	24	2-017108002	Cylinder Set Screw	1
5	2-034128301	Internal Gear	1	25	3-561106102	Sanding Pad	1
6	2-036125101	Gear	3	26	3-576106101	Wrench	1
7	2-91703013	Pin	3				
8	2-037102401	Gear Carrier	1				
9	2-016125601	Washer	1				
10	2-035128306	Lock Nut	1				
11	2-017112501	Cylinder Set Screw	1				
12	2-9026800-02	Bevel Gear	1				
13	2-016112503	Washer	1				
14	2-90185-02	Needle Bearing	1				
15	2-078125601	Driving Gear Spindle	1				
16	2-073112501	Angle Housing	1				
17	2-91503	Oil Drop	1				
18	2-902695-02	Ball Bearing	1				
19	2-035108003	Lock Nut	1				
20	2-079108001	Bevel Gear	1				